



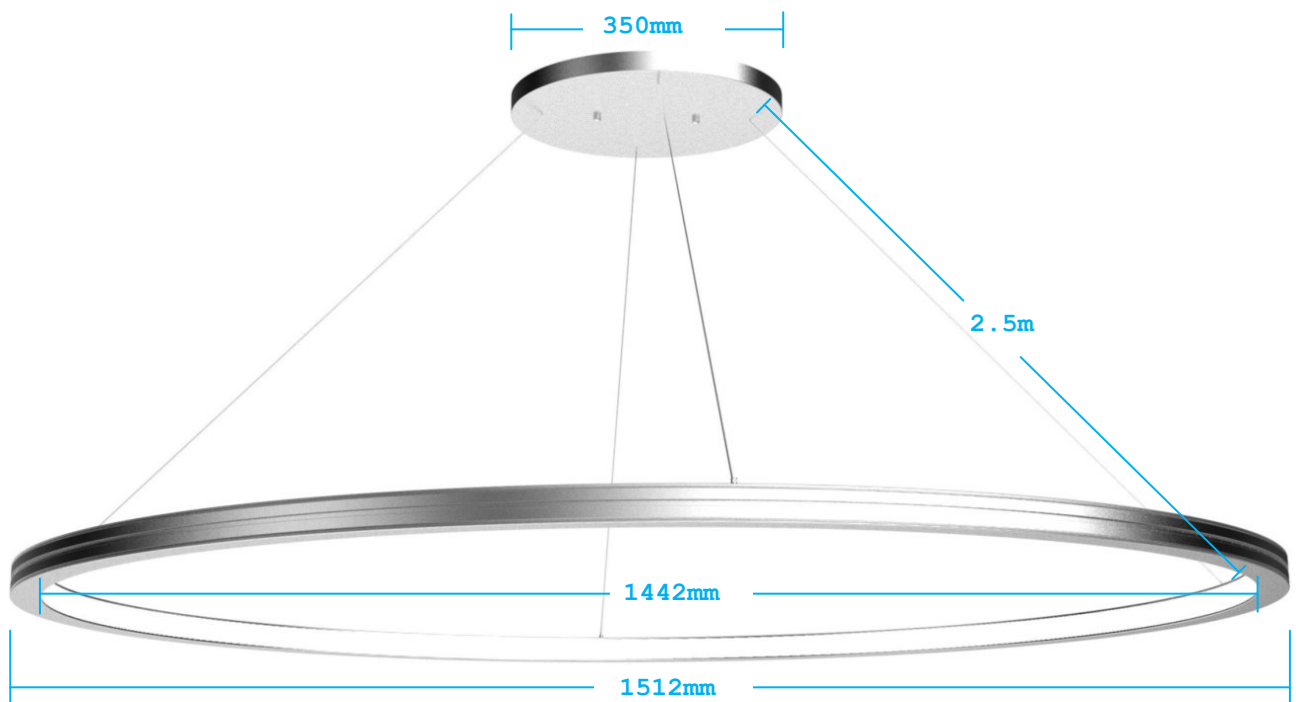
AS3535-15N360

luminaire specification

sel LIGHTING

# AS3535-15N360

SEL CURVE LIGHTING WITH LIMITLESSNESS - AS3535 stylish lighting system, through the sublimation from straight line to curve, transformation from 2D to 3D, linear lighting is brought with a brand-new revolutionary experience. The basic modules can constitute standard circular luminaires with the diameter of 0.8m/1.5m/3.0m for independent application. Multiple light emitting directions are optional: lighting downward, lighting outward and lighting inward. The light emitting modes are optional according to the scenes as well, so as to create different atmospheres.



- $\phi$  1.5M, circular luminaires of lighting inward;
- High quality surface treatment, three optional colors of black, white and silver;
- Adopt silicone flexible diffuser, producing homogenous & soft lighting;
- Pendant cable and wire in one, beautiful overall effect;
- Two installation ways: pendant and surface mounted.

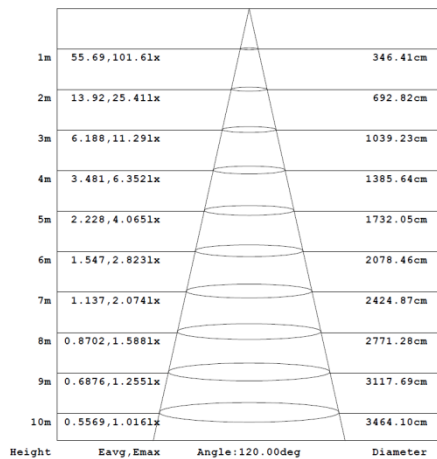
# Optical & electronic data

Model	Size	CCT	Flux ( lm )	CRI	Beam angle	Input voltage	Dimming	PF	Power (w)
AS3535-15N360 (including power supply)	Φ1500mm, lighting inward, 360° luminaires	1900K	1720LM	>80	120°	220-240VAC 50/60Hz	Non dimming	>0.9	105W
		2300K	1810LM						
		2700K	1910LM						
		3000K	2010LM						
		3500K	2120LM						
		4000K	2230LM						
		5000K	2340LM						
6000K	2230LM								

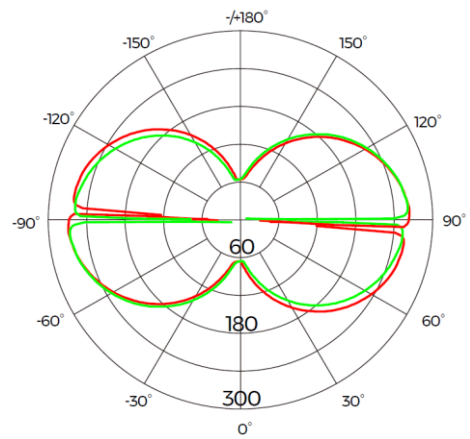
Remark :

- 1、 the tolerance of output data can be vary up to 10%;
- 2、 the output data is typical value;

Luminaire of 1.5m diameter and lighting inward matched with flexible diffuser ( AS3535-15N360 )



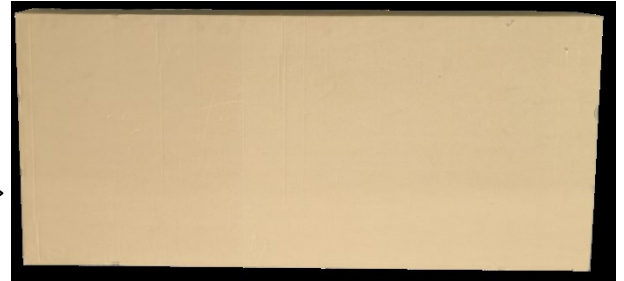
AAI FIGURE



Luminous intensity distribution diagram

# Packing:

The whole package



Model	Type	Demension ( individual package )	Pcs/bundle	NW (Kg)	GW (Kg)	Demension ( whole package )	CBM (m <sup>3</sup> )
AS3535-15N360 ( pendant / including power supply)	Box	1198*546*110mm	1	5.42	7.58	1198*546*110mm	0.072
AS3535-15N360 ( surface mounted / including power supply)				4.42	7.48		


## Description about label information


**AS3535-15N360**


Power(Typ): 105W  
 CCT: 5800-6500K  
 CRI: >80  
 Input voltage: 100-277VAC  
 Frequency: 50,60Hz

**sel**  
LIGHTING

Type: Luminaire  
 Part NO: LLS-AS3535FDXSS15N360-F105W8N-CC  
 SO: YO17050147  
 NO: ZWL170510-0380  
 Color: Silver  
 Cover type: Diffuser  
 Size: D1500mm







# Ordering code:

Category		-Series		Section Size	Diffuser Shape		Diffuser Nature		Carrier Style		Profile Color		End Cap Style		Length	
Stylish Lighting System	LLS	-Arc pendant	-AS	3535	Flat	F	Diffuser	D	No carrier	X	Black	B	Holeless end cap	S	Φ1500mm, lighting inward, 360° luminaires	15N360
											White	W				
											Silver	S				
LLS		-AS		3535	F		D		X		B		S		15N360	

Version Number		-Light Source Type		Type Power of Luminaire		CCT		CRI		Power Type		-Package		Label Type						
pendant	/	-24VDC Flexible strip	-F	105W (including power supply)	105	1900K	CW	CRI>80	8	Nondimming	N	-SEL	-L	SEL	L					
surface mounted	(S)					2300K	LW	CRI>95	9					Customized	S					
		-F		105		NW		8		N		-L		L						

Ordering luminaires kits (Eg) :

**LLS-AS3535FDXBS15N360-FI05NW8N-LL**

## Attentions :

- Please install the product in the right environment as much as possible ;
- Please be careful during operation. Do not touch the AC power supply in case of electric shock ;
- Check the current through the circuit, such as the surge occurs when press the switch does not exceed the maximum rated current, please insert the appropriate protection circuit ;
- This product is sensitive to static electricity, and please special attention. In particular, it will damage the product when the static electricity is more than absolute maximum rated current and voltage, please make a countermeasures to avoid the damage of the static electricity and surge when using the product.