

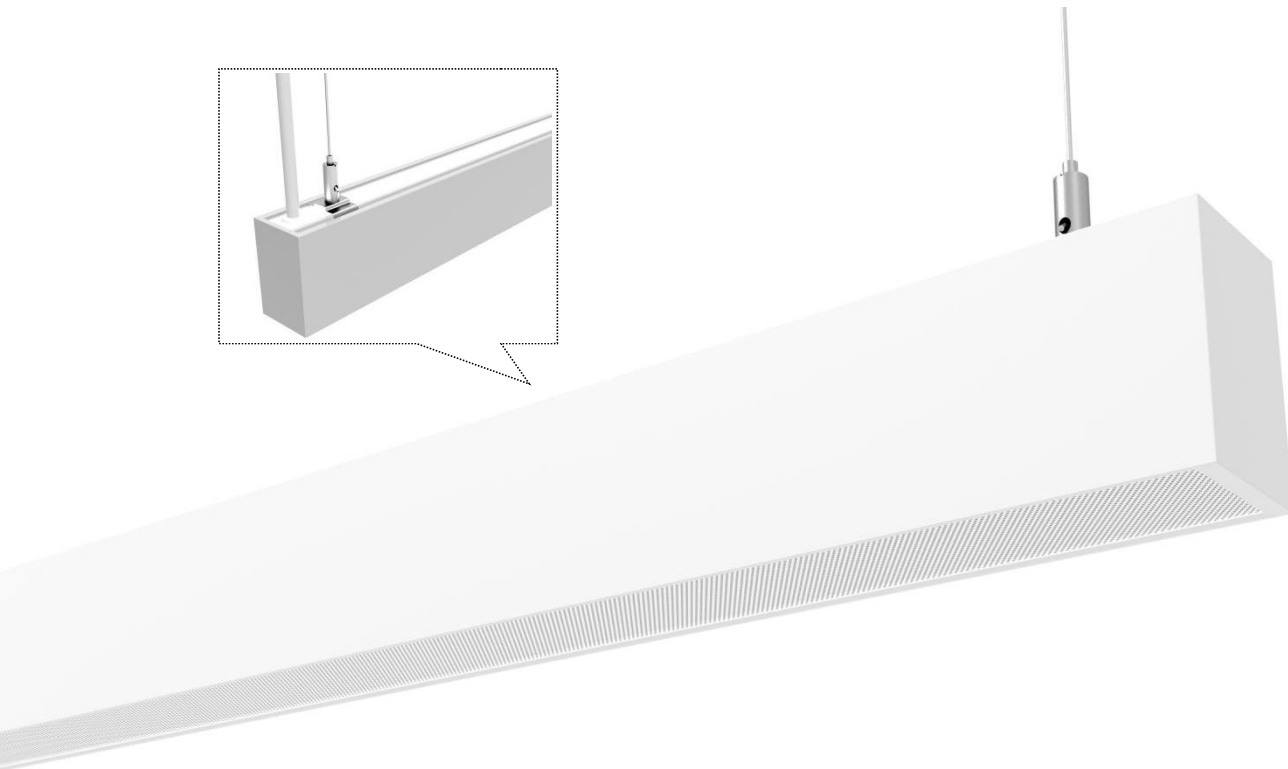
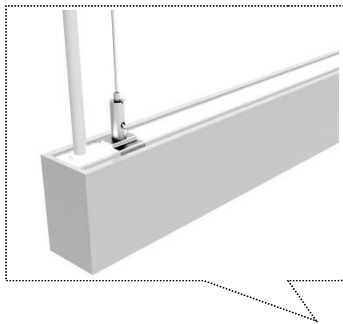
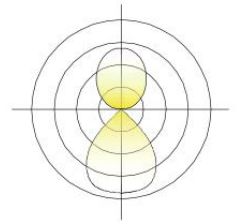
GLS40



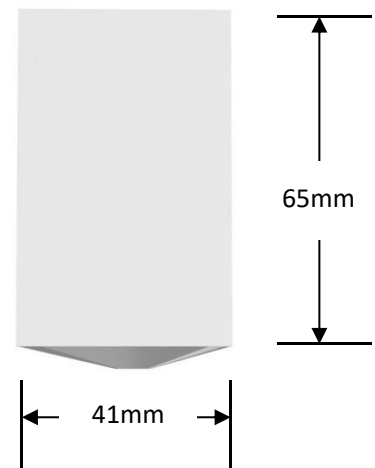
sel LIGHTING

LH40FP

LH40 as professional luminaire, integrates with beautiful structure design, creative optical & thermal design, new material and intelligent control, can widely used for indoor general lighting.



- AL6063-T5 aluminum profile with high-quality surface treatment and three optional colors of black, white and silver.
- LM80 certified light source, bridgelux LED, life >50000H
- Built-in efficient and safe flicker-free dimming power supply, Support 0-10V dimming or Dali dimming
- CRI 90+ option available
- Prismatic Diffuse design, Lighting upward&downward



Optical & electronic data:

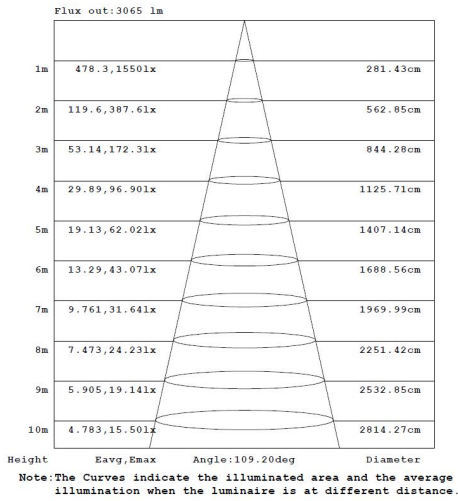
Model	Size	CCT	Flux (lm)	CRI	Beam angle	Input voltage	Dimming	PF	Power (w)	Efficiency (lm/w)
GLS-LH40FPXSS1200-T48 NW8B-DC	1147mm	3000K	(up)1350lm (down)3890lm	>80	90°	200-240VAC 50Hz/60Hz	0-10V/ DALI	>0.9	48W	(up)104 (down)100
		3500K	(up)1370lm (down)3870lm							(up)106 (down)102
		4000K	(up)1400lm (down)3950lm							(up)108 (down)104
GLS-LH40FPXSS1500-T62 NW8B-DC	1432mm	3000K	(up)1680lm (down)4740lm	>80	90°	200-240VAC 50Hz/60Hz	0-10V/ DALI	>0.9	62W	(up)105 (down)99
		3500K	(up)1720lm (down)4840lm							(up)107 (down)101
		4000K	(up)1750lm (down)4940lm							(up)109 (down)103
GLS-LH40FPXSS1800-T74 NW8B-DC	1717mm	3000K	(up)2020lm (down)5690lm	>80	90°	200-240VAC 50Hz/60Hz	0-10V/ DALI	>0.9	74W	(up)106 (down)99
		3500K	(up)2060lm (down)5810lm							(up)108 (down)101
		4000K	(up)2100lm (down)5930lm							(up)111 (down)103
GLS-LH40FPXSS2400-T96 NW8B-DC	2287mm	3000K	(up)2690lm (down)7590lm	>80	90°	200-240VAC 50Hz/60Hz	0-10V/ DALI	>0.9	96W	(up)104 (down)103
		3500K	(up)2750lm (down)7740lm							(up)106 (down)105
		4000K	(up)2800lm (down)7900lm							(up)108 (down)107

Remark:

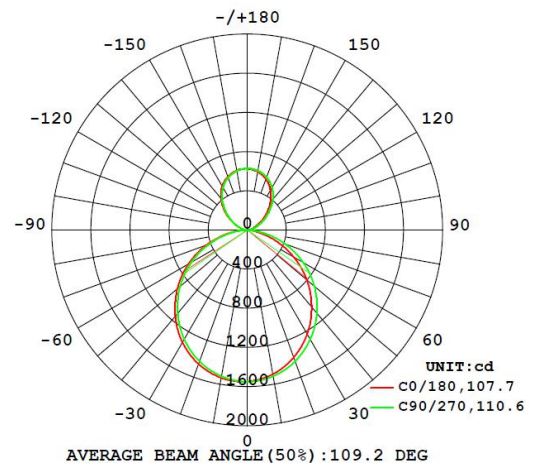
- 1、 the output data is based on the testing result of 1.2m luminaires
- 2、 the tolerance of output data can be vary up to 10%;
- 3、 the output data is typical value;

◆ 1.2m Lighting upward and downward with Prismatic Diffuse (GLS-LH40FP)

AAI Figure



Luminous intensity distribution diagram



Packing:

◆ The whole package

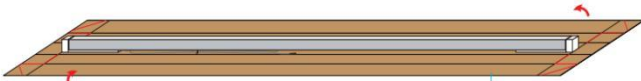
1. Tightly wrap and fix the magnetic endcaps and profiles with winding film (in order to prevent the plastic endcaps move and damaged by extrusion of profile), then put PE tube on the product.



2. The back of the product is placed on a 15 mm thick EPE FOAM, and with 22 mm thick EPE FOAMs at both ends, then stick EPE FOAM on the side, bundled with wrapping film;



3. Put the back of the product facing down on the W9K paper envelope with 3 mm thickness, and fold the paper envelope to wrap the product.



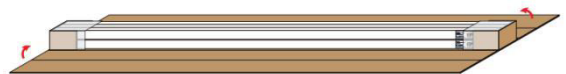
4. After the product is wrapped, the edge is sealed with adhesive paper and the product information labels are affixed.



5. Put the white boxes packed with products in bundles according to the standard quantity and requirement. Add K = K paper sheath at both ends, then bundle them with wrapping film at both ends.



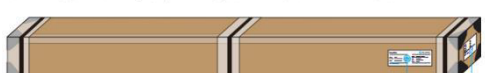
6. Pack the bundled products on K = K cardboard after indentation cutting.



7. Sealing box with plastic corner guard, wrapping with film, then wrapping with packaging tape.



8. Labeling (SEL Label, Quantity, Net Weight, Gross Weight Labels, Box Seal)



Model	Type	Demension (individual package)	Pcs /bundle	NW (Kg)	GW (Kg)	Demension (whole package)	CBM (m ³)
GLS-LH40FPXSS1200-T48XX8B-DC	Individual Packing	1180*90*55	4	8.8	11.32	1210*215*155MM	0.42
GLS-LH40FPXSS1500-T62XX8B-DC		1465*90*55	4	11.04	14.1	1495*215*155MM	0.05
GLS-LH40FPXSS1800-T74XX8B-DC		1750*90*55	4	13.84	17.4	1780*215*155MM	0.06
GLS-LH40FPXSS2300-T96XX8B-DC		2320*90*55	4	17.28	22.08	2350*215*155MM	0.08

◆ Description about label information

<p>GLS-LS70</p> <hr/> <p>Luminous flux: 1900LM Power(Typ): 18W CCT: 6000K CRI: >80 Input voltage: 100-277VAC Frequency: 50/60Hz</p> <hr/>	<p style="text-align: right;">sel LIGHTING</p> <hr/> <p>Type: Luminaire Part NO: GLS-LS70DAHES-18W8N-LC SO: Y017050147 NO: ZWL170510-0380 Color: Silver Power factor: >0.95 Cover type: UGR filter diffuser Size: 73x80x1210mm Date: 20181220</p> <hr/> <p>Terminal block not included. Installation must be performed by a qualified person.</p>
--	--

Ordering code:

Category	Installation	Section Size	Diffuser Shape	Diffuser Nature	Carrier Style	Profile Color	End Cap Style	Length	-Light Source Type	Type Power of Luminaire	CCT	CRI	Power Type	Package	Label Type	
General Lighting System	Pendant	40 Series	Flat	Prismatic Diffuse	No Carrier	White	Standard End Cap	1147mm	-Constant Current Rigid	48W	3000K	CRI>80	0-10V	Individual Packing	SEL	
GLS	-LH	40	F	P	X	W	S	1200	-T	48	WW	8	DALI	-D	L	
						Black		1432mm		62W					B	Customized
						B		1500		62	3500K				A	S
						Silver		1717mm		74W						
						S		1800		74	PW					
								2287mm		96W	4000K					
2300	96	NW														
GLS	-LH	40	F	P	X	W	S	1200	-T	48	NW	8	B	-D	L	

Attentions:

- ◆ Please install the product in the right environment as much as possible;
- ◆ Please be careful during operation. Do not touch the AC power supply in case of electric shock;
- ◆ Check the current through the circuit, such as the surge occurs when press the switch does not exceed the maximum rated current, please insert the appropriate protection circuit;
- ◆ This product is sensitive to static electricity, and please special attention. In particular, it will damage the product when the static electricity is more than absolute maximum rated current and voltage, please make a countermeasures to avoid the damage of the static electricity and surge when using the product.